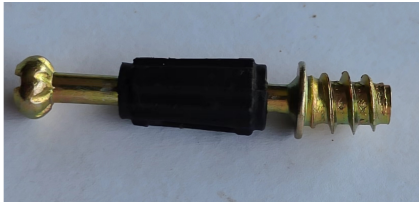


# ASSEMBLY INSTRUCTION





Ax48



Bx48



Cx20



Dx4



Ex64



Fx5



Gx6



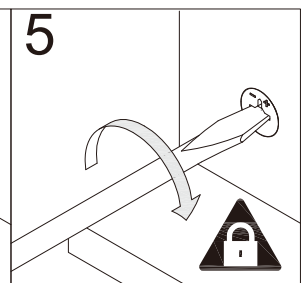
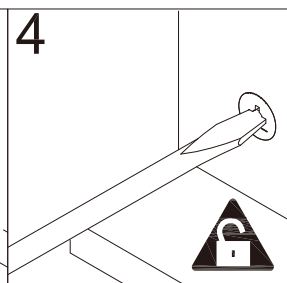
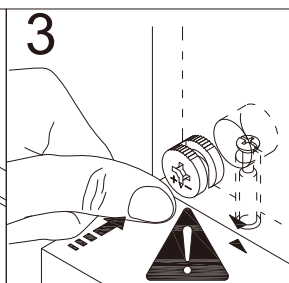
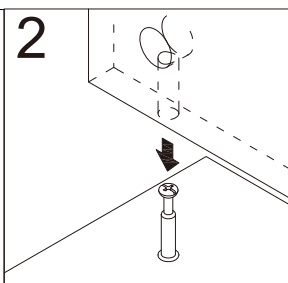
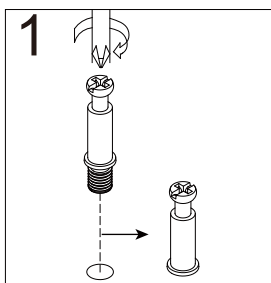
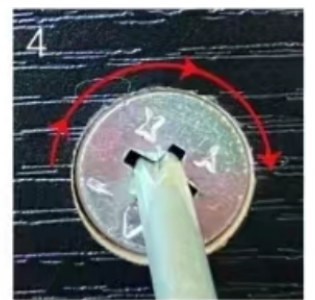
Hx6

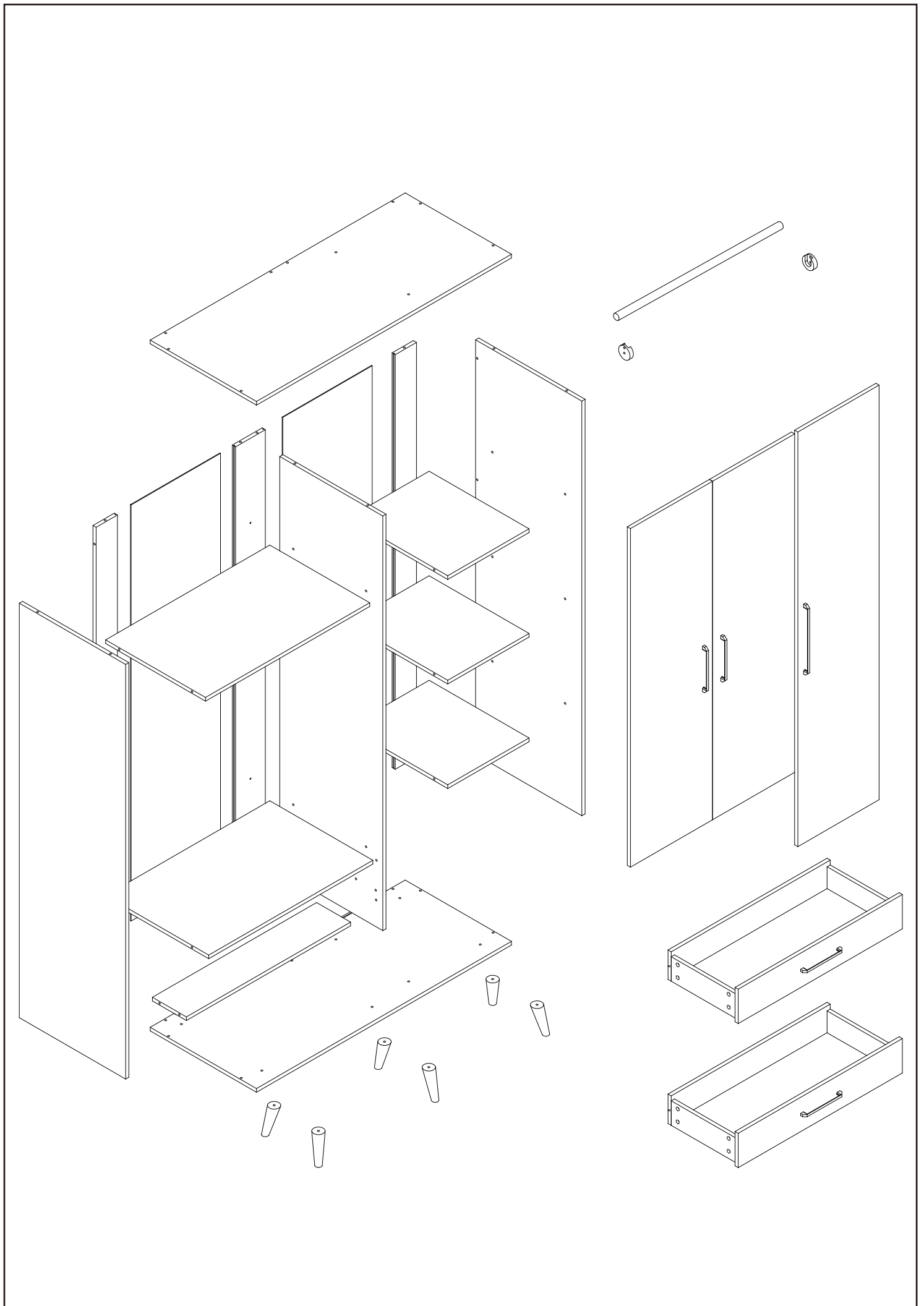


Jx10

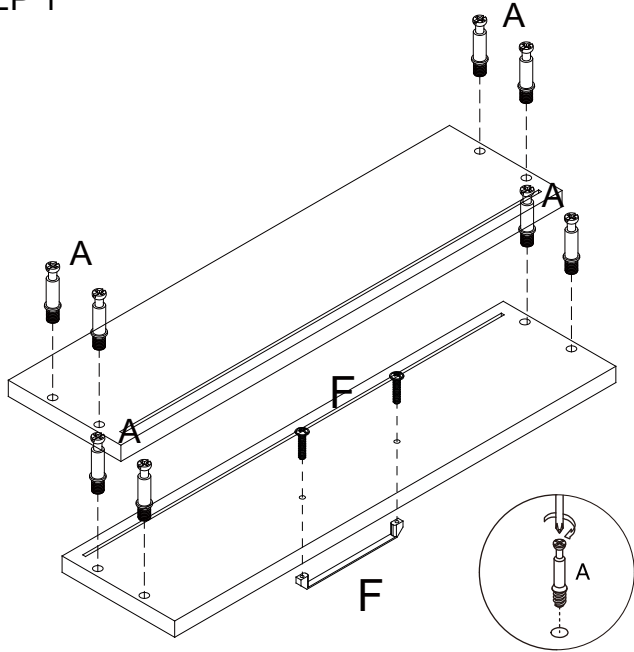


Lx2

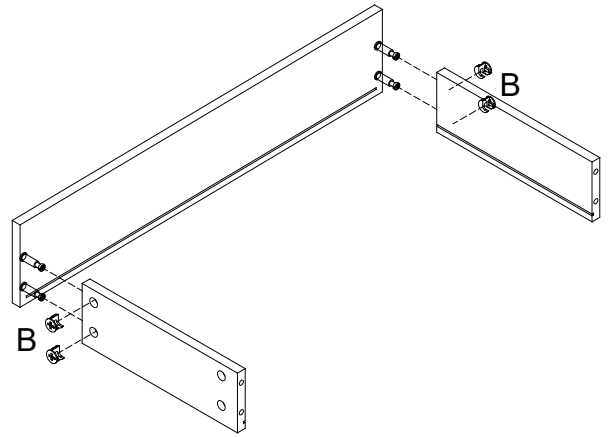




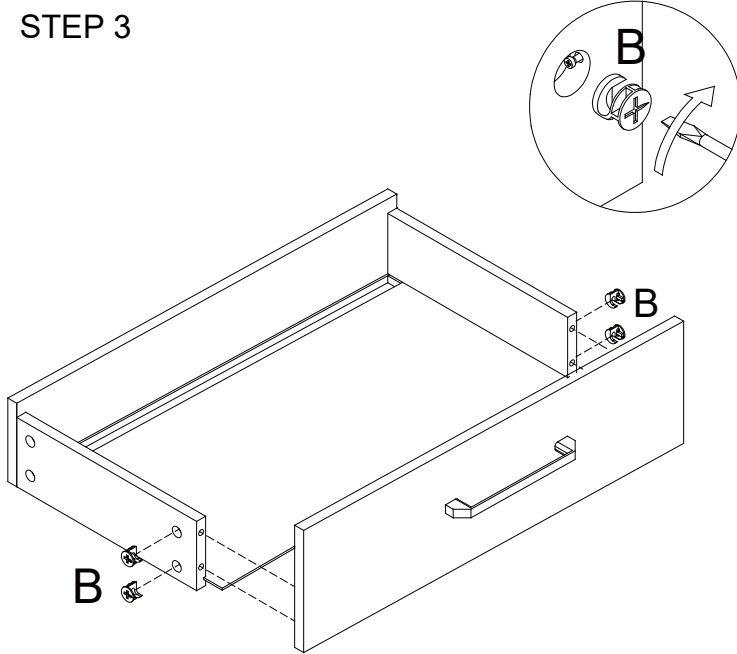
STEP 1



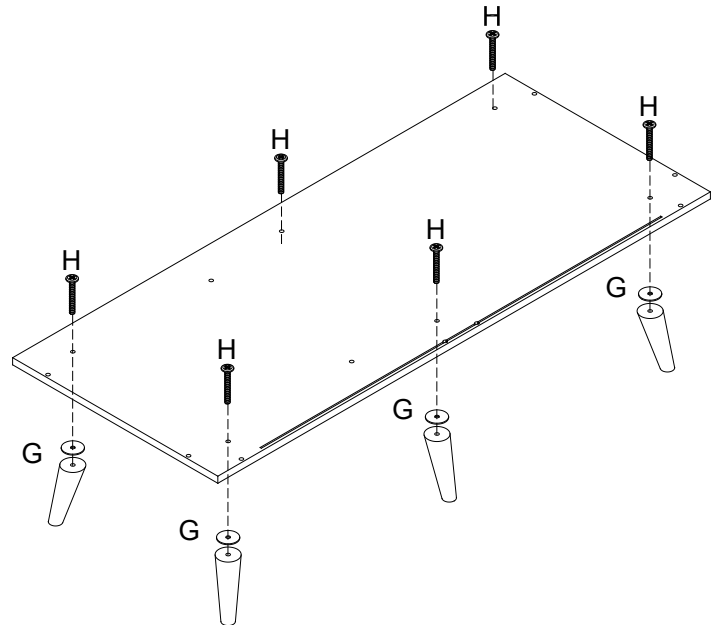
STEP 2



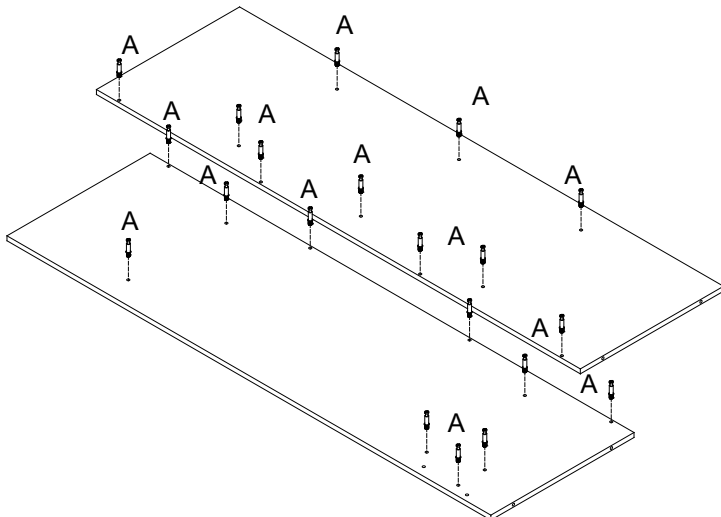
STEP 3



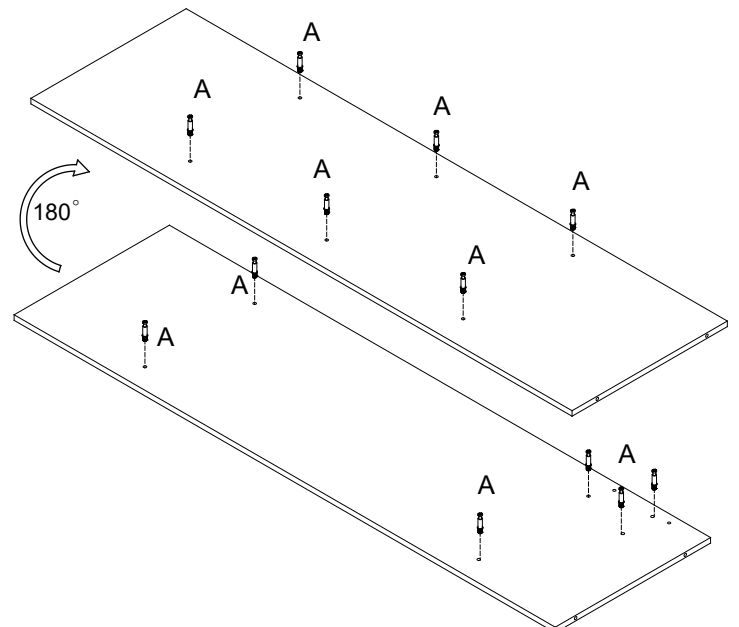
STEP 4



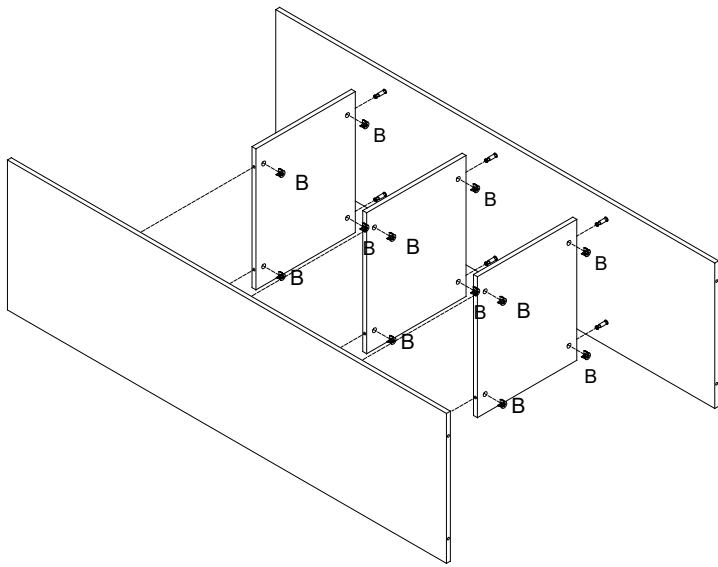
STEP 5



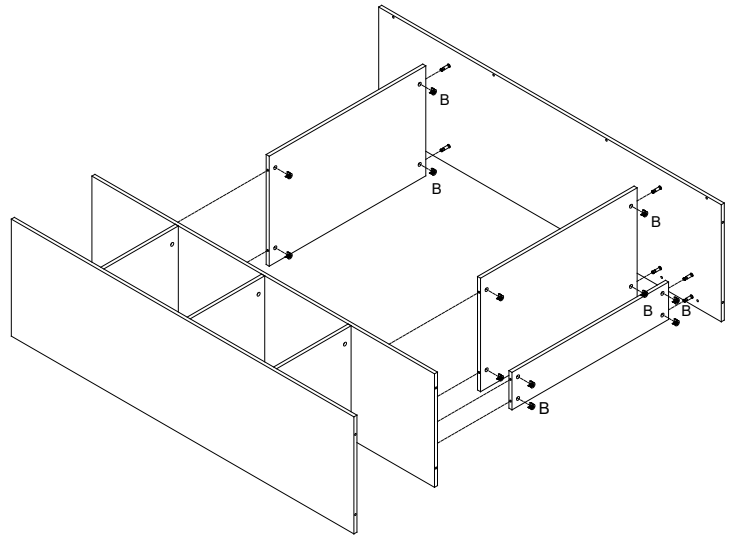
STEP 6



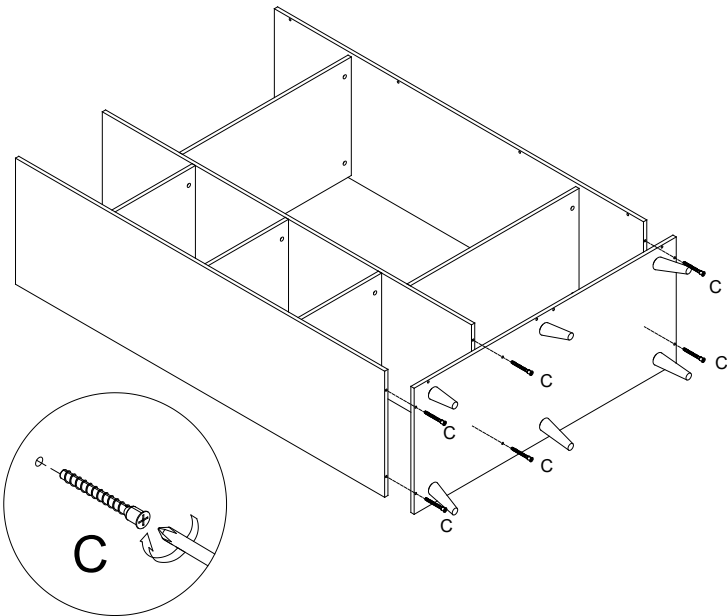
STEP 7



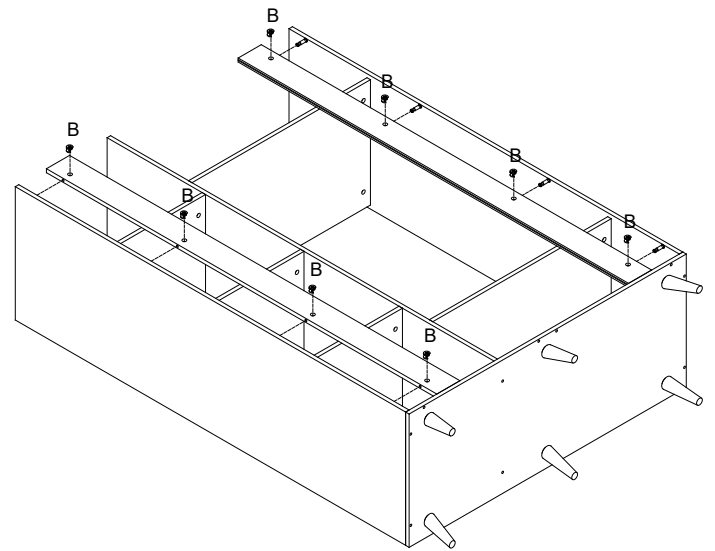
STEP 8



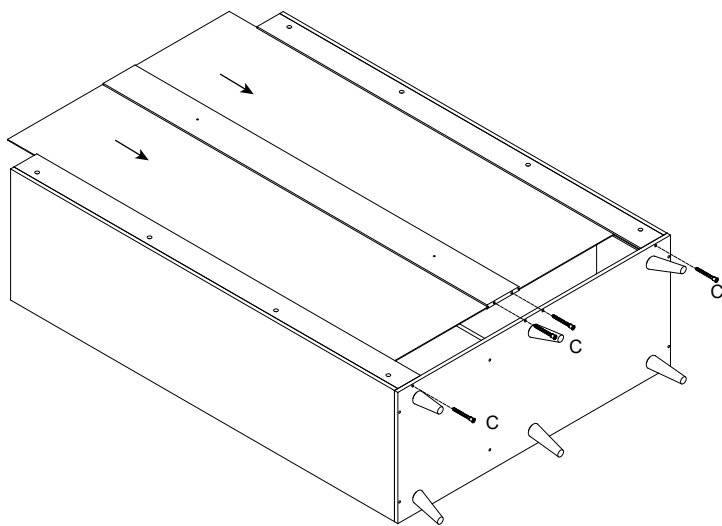
STEP 9



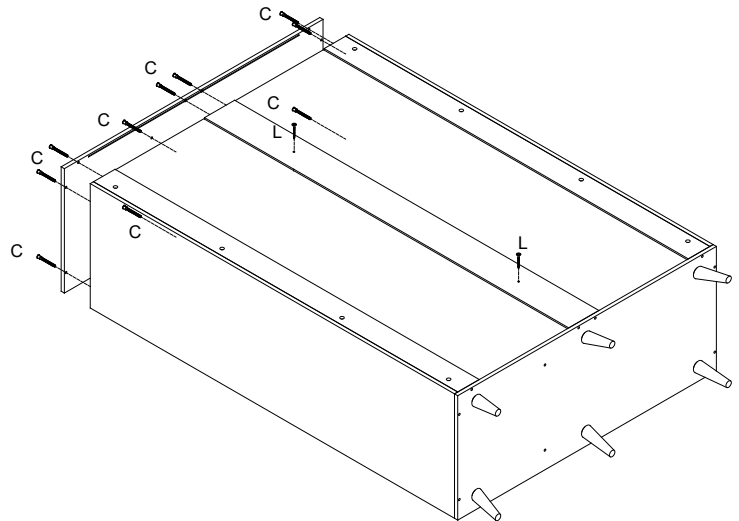
STEP 10



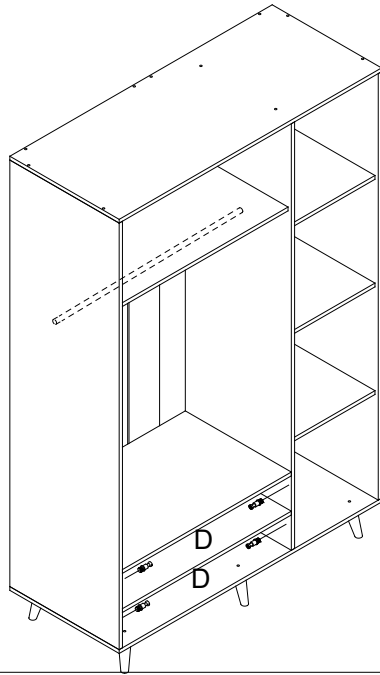
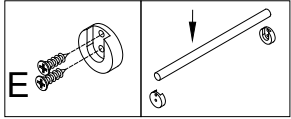
STEP 11



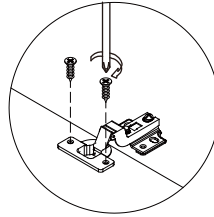
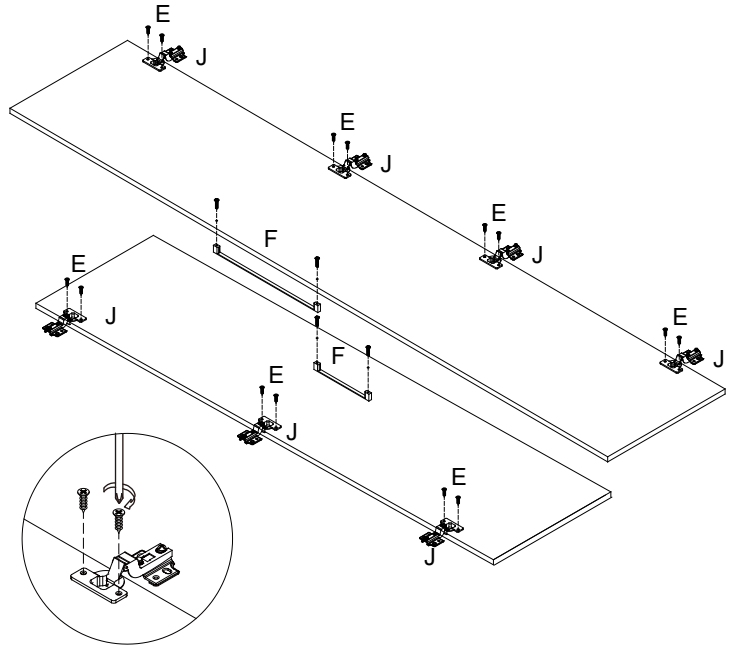
STEP 12



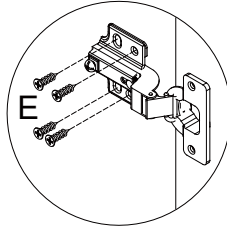
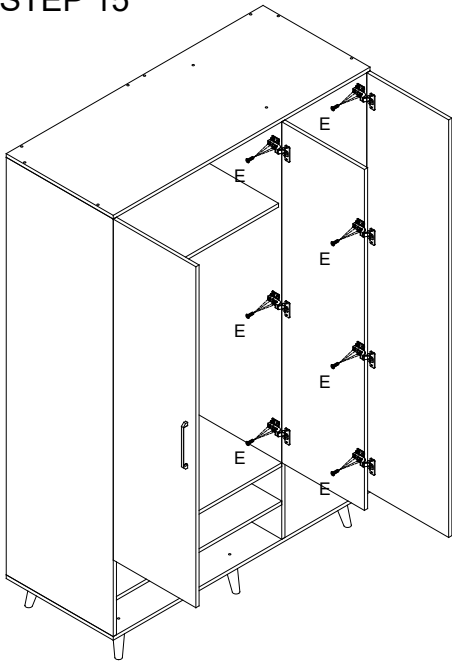
STEP 13



STEP 14



STEP 15



STEP 16

